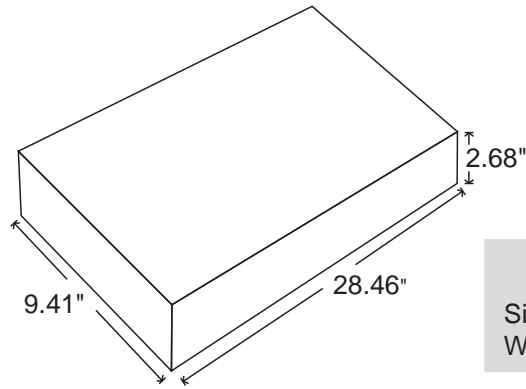


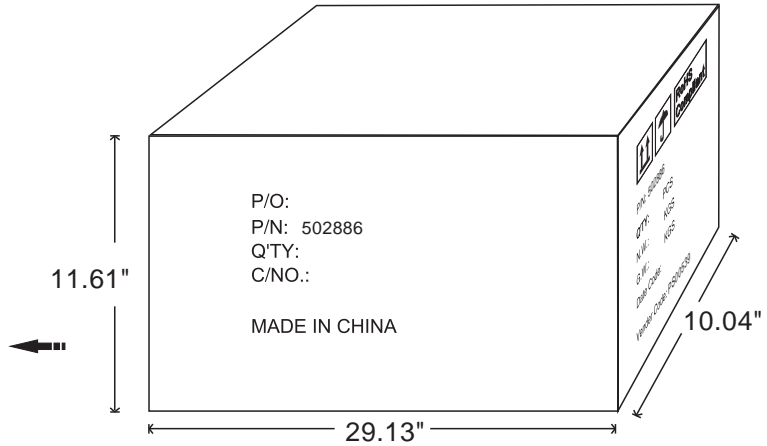
NOTE: CARTON MATERIAL MUST BE A=A

REVISION INFORMATION			
Rev.	Rev. Date	Modified By	Brief Description



**Unit package**  
 Size: 28.46"(L)\*9.41"(W)\*2.68"(H)  
 Weight: 12.2LBS

P/O:  
 P/N: 502886  
 Q'TY:  
 C/NO.:  
  
 MADE IN CHINA



**Carton Size:** 29.13"(L)\*10.04"(W)\*11.61"(H)  
**Carton Quantity:** 4pcs  
**Carton Weight:** 49.82LBS

		<b>RoHS Compliant</b>
P/N: 502886		
Q'TY:	PCS	
N.W.:	KGS	
G.W.:	KGS	
Date Code:		
Vender Code:	PS00539	

DRAWN BY	DATE: 2021/3/26	DESCRIPTION: CORNER FULL-MOTION TV WALL MOUNT LPA63-466C	
CHECKED BY	SHEET 1 of 2	ITEM NO. 502886	
APPROVED BY	SCALE 1:1	REV. 00	UNIT:mm